

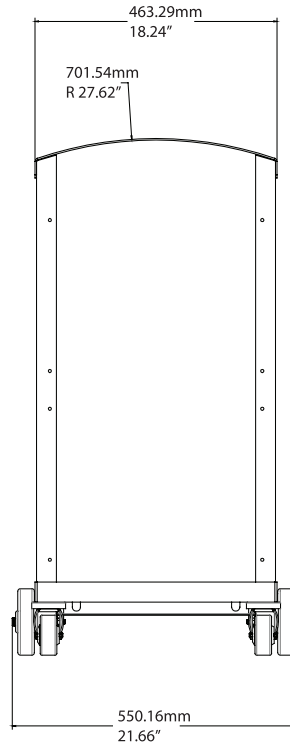
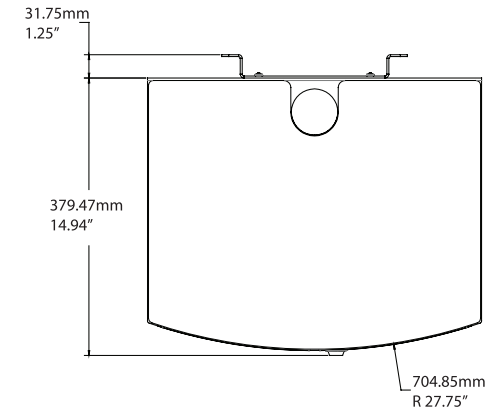
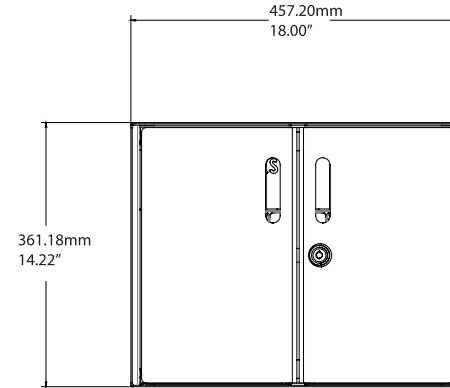
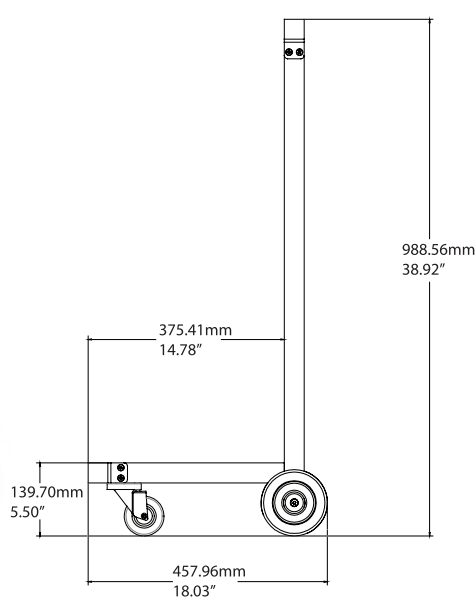
CARTIPAD SOLO 16 UNITS

The CartiPad Solo security charging cabinet offers a fully secure charging and storage solution. The modular iPad storage cabinet design allows it to be attached and detached from our CartiPad Cart base (sold separately) for wall mounting and stacking purposes. Another feature is the ability to seamlessly stack additional CartiPad Solo units to increase the amount of devices for storage.

Cabinet Features:

- Welded Steel Cabinet
- Formed Aluminum Doors (Textured Powder Coat Finish)
- Rubberized Top Work Surface
- Rubberized Inside Floor
- Two Barn Style Doors
- Internal Compartment for Separate Power and Sync Systems
- Individual spaces for 16 Tablets or Net books
- No Pre-wired/Built-in Technology (Adapts to Changing Technology and World Wide Power Specifications)
- Engineered Convection Cooling design (Venting Allows Heat to Escape)
- Comes Fully Assembled (Quick Deployment)

CL-SOLO



CARTIPAD UNO 16 UNITS

The CartiPad Uno combines our CartiPad Solo security charging cabinet with our CartiPad Cart. The Uno cart houses up to 16 iPad units and with its modular design can be adjusted for all your mobile computing devices. Without the need for any new cables or power cords the CartiPad Uno uses the original existing power source of your devices and is ready for use out-of-the-box! The CartiPad Uno weighs in at 58lbs (33.75lbs for the storage charging unit and 24.25 lbs for the cart) when empty.

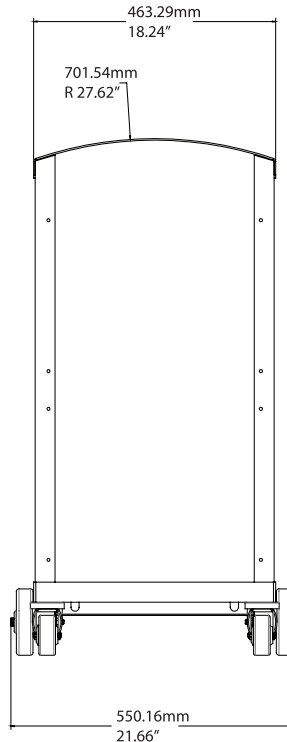
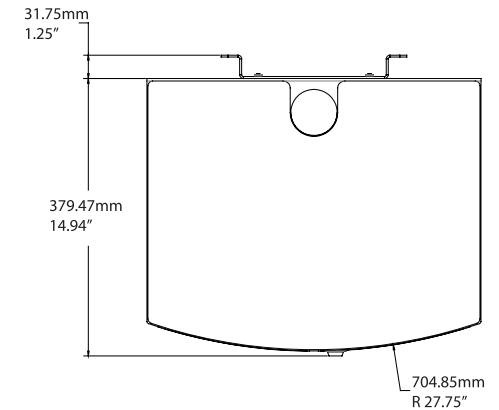
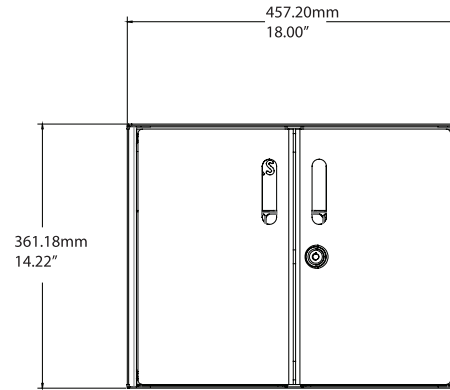
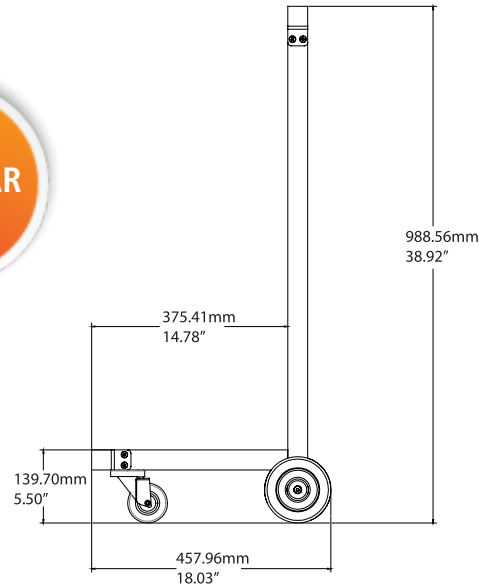
Cart Features:

- Welded Steel Tubing
- Textured Powder Coat Finish
- Rubber Tread Wheels and Casters
- Designed For One or Two Cabinets
- Creates a Perfect Podium Height Work Surface (Laptop Table)
- Locking Front Casters
- Large Rear Wheels Easy to Roll Over Uneven Surfaces)

CL-UNO



FULLY MODULAR



CARTIPAD DUO 32 UNITS

The CartiPad Duo secure iPad storage cart houses up to 32 iPad units and with its modular design can be adjusted for all your mobile computing devices.

The CartiPad Duo (with CartiPad cart and two Solo cabinets) weighs in at 84.5lbs (33.75lbs for each storage charging unit and 17lbs for the cart) when empty. Being able to hold and maneuver 32 devices at once is a big advantage in the classroom, workspace, or wherever else you deploy the cart.

With the cabinets already assembled and getting your CartiPad Duo set up will only take you about 15 minutes.

CL-DUO